

**Invincible for**

PEST-CONTROL

(mosquitoes, flies, cockroaches, ants, wasps, locusts, etc..)

LARVICIDAL TREATMENTS

ULV TREATMENTS

GREEN CARE

ODOURS TREATMENT

(in composting areas, dumps, etc..)

 **ELECTROSTATIC**®  
AGRO SPRAY SYSTEM

SINCE 1981 First in Europe

Technology,  
Functionality  
and  
avant-garde  
design



*New mist blowers*

**PHANTOM SUPERECOLOGY COMPACT**

FOR ENVIRONMENTAL HYGIENE SPECIALISTS



**MARTIGNANI**

SINCE 1958

The exclusive advantages of the **MARTIGNANI** System, appreciated by experts and professional users in the environmental hygiene and public ground care sphere



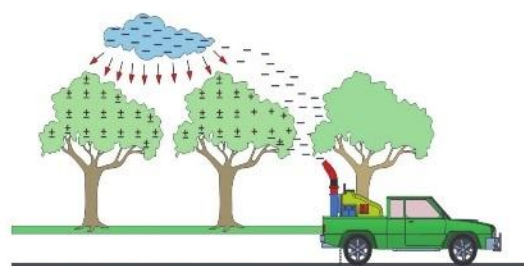
The perfect and **uniform micronization** produced using a unique type of pneumatic nozzle, with a large diameter (4 mm), and **fade-free functionality, no wear, no clogging, no maintenance**.

**Precision liquid metering unit with graduated stainless steel** scale for instantaneous metering of any volume to be distributed, from 50 to 1600 l/hour at a single pressure of 1.5 bar. The best and most congenial system, which can also be used in conjunction with the "I.M.E." **micro-pump to meter pure chemicals**, featuring separate reservoirs (also controlled in l/hour but at 10 bar instead of the 1,5 bar of the sprayer circuit. This means no risk of damages and the elimination of the delicate back-pressure valve).



**High performance centrifugal fans**, with an exclusive design, able to provide a coverage with several hundreds of microscopic droplets per cmq at even very low volumes (50 l/hour) and up to distances that are impossible to achieve with any air conveyance sprayer with high **pressure nozzles** and **calibrated plates**.

Device for Electrostatic **charging of micro droplets** (patent B091C0001444 and B093A000444), the first produced in Europe (1981) and **the only one multi-tested in Italy** by three research institutes with published phytotherapeutic results. Now it is widespread and well-known throughout the world as Number 1 when it comes to innovative methods concerning the **application of plant protection products with respect for the environment and operators' health**.



**ELECTROSTATIC**®  
AGRO SPRAY SYSTEM

**POWER AIR FOGGER KIT**

(patent B092U000163), used in conjunction with the fluid dynamic action of the Martignani fans to deliver an ultra-powerful, no drifting screen of mist. It can also be used with very lightweight **moplen** pipes.





1. Precision METERING UNIT
2. Omni-directional SPRAY GUN with 90° + 360° rotation
3. BLOWER with electrical rotation through 260°
4. Quickly TRANSPORTED FRAME with fork guide
5. "Long Life" professional CONTROLS
6. FUEL TANK (25 lt)
7. 300L TANK with hand-washing (10 lt) and circuit flushing (25 lt)
8. Clearly visible (from both sides) LEVEL GAUGE
9. Double FILLING PORT
10. Exclusive MUFLER in Stainless Steel
11. HOSE REEL ROLLER with manual or electric operation or automatic with spring (40, 50, 100 m hose capacity)



## PHANTOM SUPERECOLOGY COMPACT

### ULV NOZZLE KIT (Ultra Low Volume) - Patent N° BO2006A000457

The "U.L.V." KIT to distribute products at Ultra Low Volume is ideal to protect from stray adult insects, to combat locust emergencies in deserts and to eliminate odours in composting areas, dumps, etc. It consists of a mist-blowing nozzle on the central axis of the spray gun's exit port and it simply works thanks to the air pressure blowing from the spraying head (therefore without using an air compressor).

**Spray Gun with PLUG 'N PLAY System** in order to combine different types of spray heads:

- Round classic head (Long-range treatment)
- Fan head (wide-angle treatment with reduced range on shrubs, hedges, little masts, etc..)
- Double head (bilateral treatment)

### Remote control without wiring



**A mist blowing unit that requires practically no maintenance.**

# Phantom Superecology COMPACT

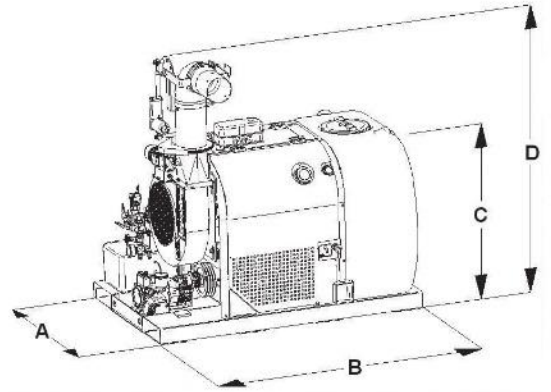
## AVAILABLE ENGINES AND POWER RATINGS

### Compact M-748

16 HP Gasoline

13 HP Diesel (Air)

DIMENSIONS in mm.	A	B	C	D	Weight in KG
Compact M748	902	1450	910	1520	370



### COMPACT M748

Product Tank Capacity	300 lt
Circuit-flushing Tank Capacity	25 lt
Hand-washing Tank Capacity	10 lt
Fuel Tank Capacity	25 lt
Blower Flow rate in m3/hour	4500 a 90 m/s
Pump Flow rate (3 diaphragms) in l/m	40
Pump Pressure in Bar	0 - 40
Horizontal range in m.	30
Vertical range in m.	20



Exclusively Marketed In India By :-  
**M/s Royal Tradelinks Pvt. Ltd.**  
 Regd. Office:- 346/4, Govinpuri,  
 New Delhi-110019  
 Mob. 9811042226, Ph. 011-26472104  
 Email:- royal@foggingmachines.com  
 Website:- www.foggingmachines.com  
**WWW.MARTIGNANI.COM**